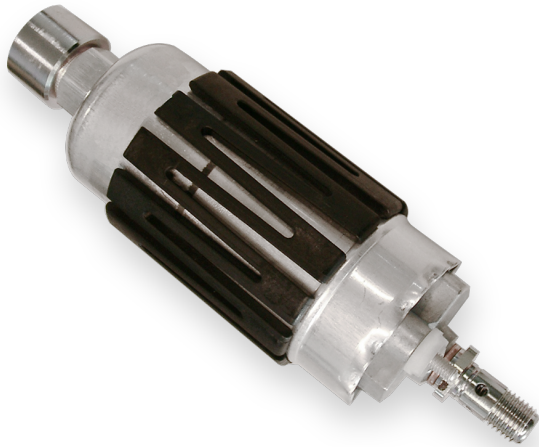


Fuel Pump FP 165-E



- ▶ >165 l/h
- ▶ Max. 6 bar
- ▶ 700 g
- ▶ Fuel lines screwed
- ▶ Internal pre-filter on suction side with 300 µm

The FP 165-E is an inline roller cell pump for the installation outside the fuel tank (installation in tank not proven).

It is capable of providing <165 l/h at 6 bar. Bio-fuel and Diesel can be delivered up to E100 (shortens lifetime!).

The FP 165-E is a production type fuel pump, combining good quality at a low price.

Application

Fuel pressure	0.5 up to 6 bar
Delivery rate at 5 bar and 22°C	190 l/h at 4.3 bar
Pressure limiting valve	8 to 10.0 bar rel.
Fuel compatibility	Up to E100 with shorter lifetime
Diesel compatibility	Given
Operating temperature range	-40 to 80°C ≤90°C for ≤5 h over 1.000 h lifetime ≤105°C for ≤1 h over 50 h lifetime
Storage temperature range	-40 to 60°C
Max. vibration IEC 60068-2-34	10 Hz 19,4 (m/s ²) ² /Hz 300 Hz 0,654 (m/s ²) ² /Hz 1.000 Hz 0,059 (m/s ²) ² /Hz

Technical Specifications

Mechanical Data

Diameter	60 mm
Length	162.6 mm
Weight	700 g

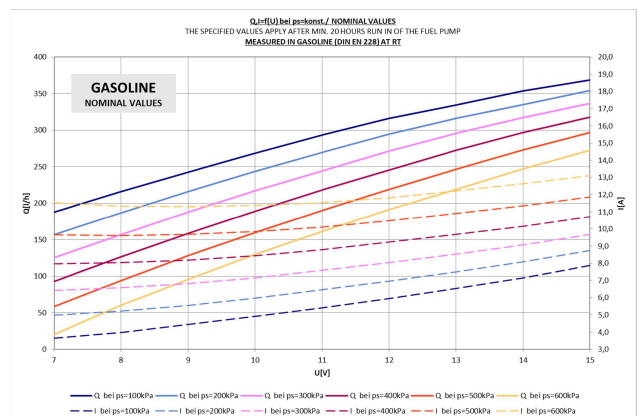
Mounting	Clamping
----------	----------

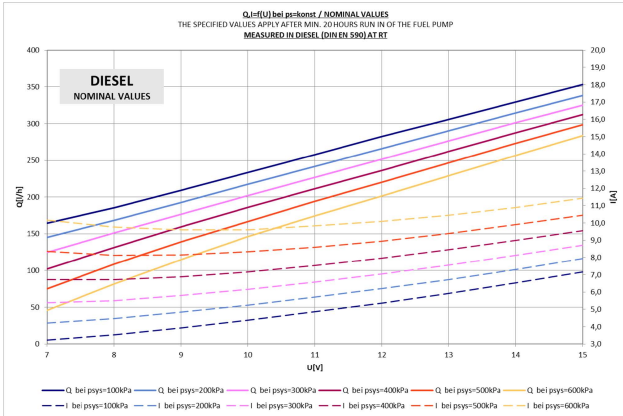
Electrical Data

Supply voltage	6 to 15 V
Operating voltage	13 V (26 V for 60 s)
Load current at 5 bar and 22°C	<14 A

Characteristic

Color	Silver
Non-return valve	Internal
Overpressure valve	Internal





Connectors and Wires

Electrical connector	+M4/-M5
Electrical mating connector	with ring wire M4 and M5

Mechanical connector intake side	M14x1.5
Mechanical connector pressure side	M12x1.5

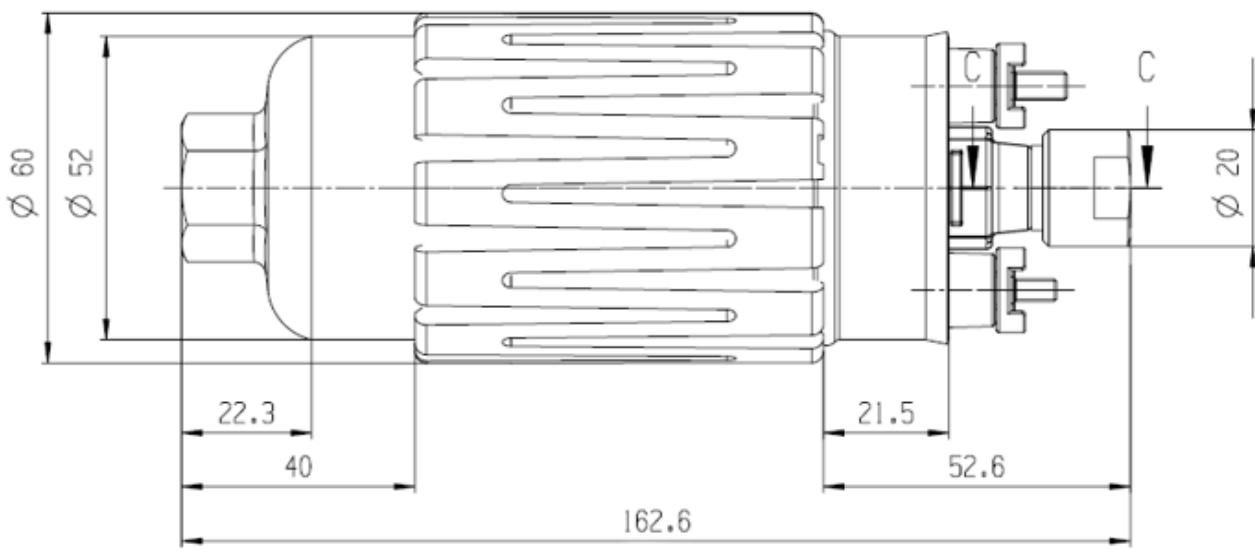
Installation Notes

Up to E100 with shorter lifetime
 For technical reasons the values may vary.
 Please use within the specified limit values only.
 Please find further application hints in the offer drawing at our homepage.

Ordering Information

Fuel Pump FP 165-E
 Order number **F.02U.V03.137-01**

Dimensions



Represented by:

Europe:
 Bosch Engineering GmbH
 Motorsport
 Robert-Bosch-Allee 1
 74232 Abstatt
 Germany
 Tel.: +49 7062 911 9101
 Fax: +49 7062 911 79104
 motorsport@bosch.com
 www.bosch-motorsport.de

North America:
 Bosch Engineering North America
 Motorsport
 38000 Hills Tech Drive
 Farmington Hills, MI 48331-3417
 United States of America
 Tel.: +1 248 876 2977
 Fax: +1 248 876 7373
 motorsport@bosch.com
 www.bosch-motorsport.com

Asia-Pacific:
 Bosch Engineering Japan K.K.
 Motorsport
 18F Queen's Tower C, 2-3-5 Minato
 Mirai Nishi-ku, Yokohama-shi
 Kanagawa 220-6218
 Japan
 Tel.: +81 45 650 5610
 Fax: +81 45 650 5611
 www.bosch-motorsport.jp

Australia, New Zealand and South Africa:
 Robert Bosch Pty. Ltd
 Motorsport
 1555 Centre Road
 Clayton, Victoria, 3168
 Australia
 Tel.: +61 (3) 9541 3901
 motor.sport@au.bosch.com